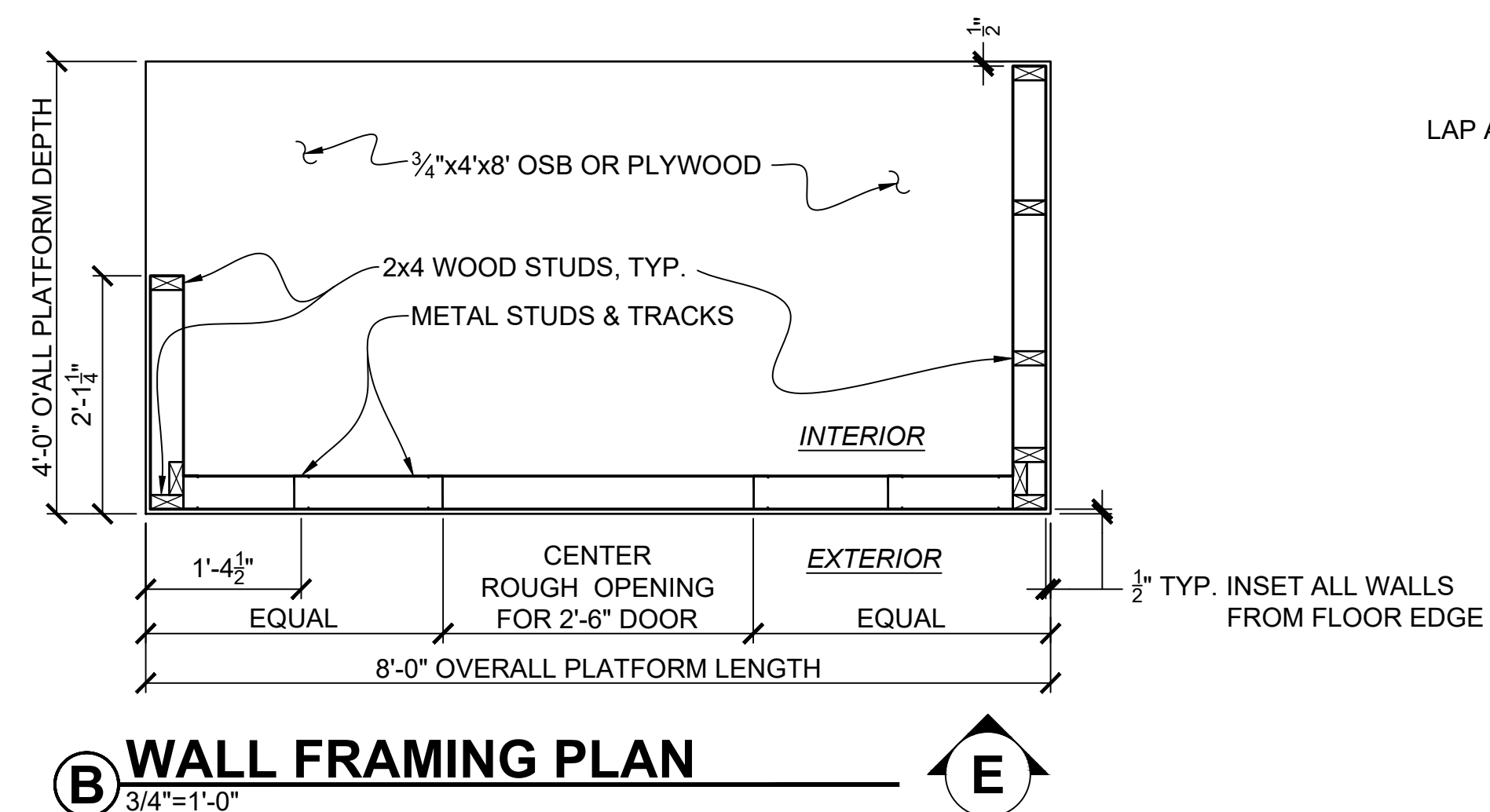
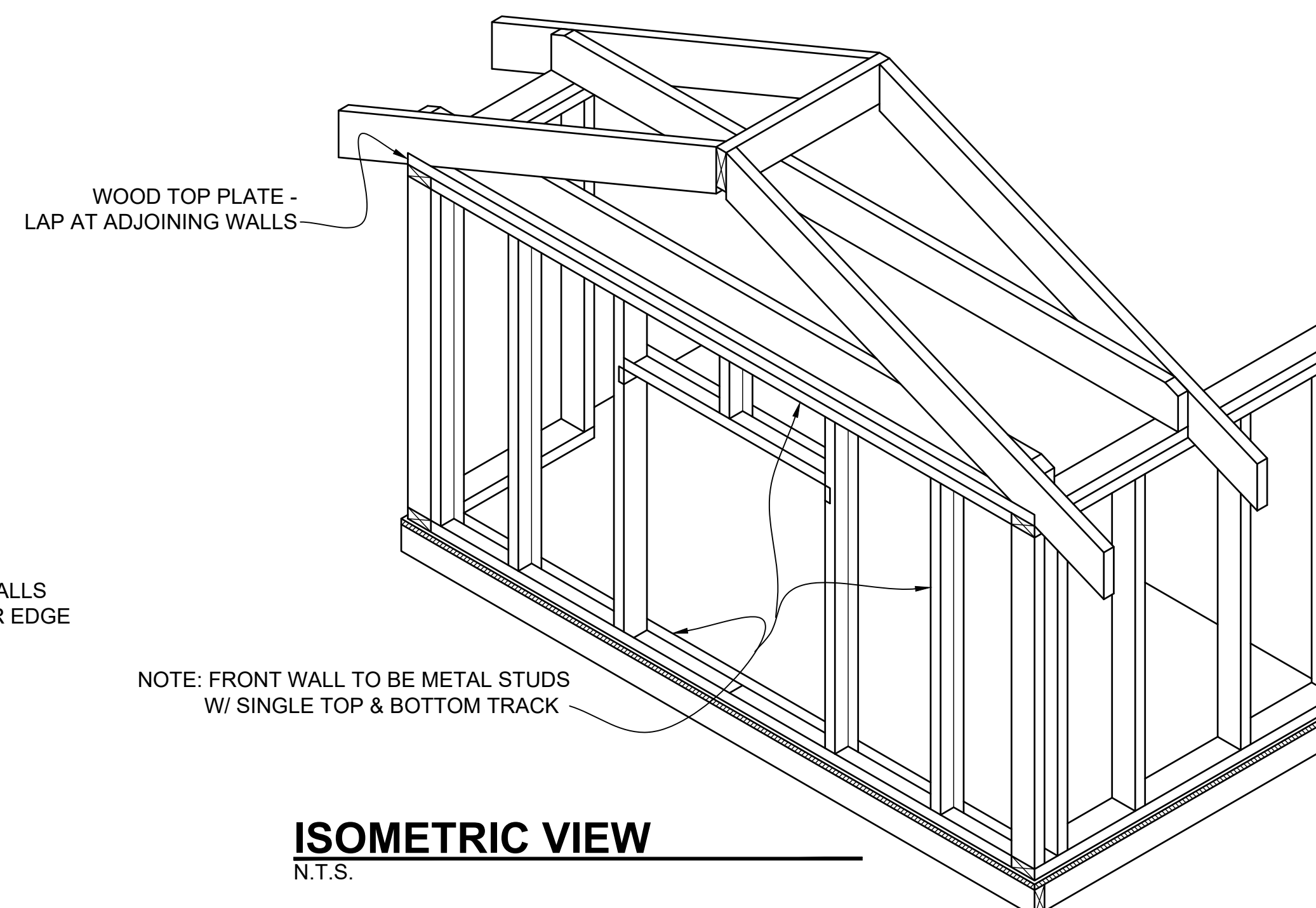


**INSTRUCTIONS**

- 1) USING 1 1/4"x48" PLYWOOD, LAY OUT A STAIR STRINGER FROM THE SPECIFICATION IN DETAIL "D".
- 2) USING THE 2x4x8" STOCK, LAY OUT AND ASSEMBLE THE FLOOR JOIST SYSTEM. AFTER ASSEMBLY, ATTACH THE 4'x8' SHEET OF OSB TO THE FLOOR JOISTS USING 4 NAILS (ONE AT EACH CORNER).
- 3) USING THE 2x4x8" & METAL STUD STOCK, CUT AND ASSEMBLE THE WALLS. NOTE: FRAME THE DOOR ROUGH OPENING PER MANUFACTURER'S SPECIFICATIONS OR 2" PLUS THE NOMINAL SIZE.
- 4) USING THE 2x6x8" STOCK, CUT AND ASSEMBLE THE CEILING JOISTS AND RAFTERS.
- 5) CHECK YOUR WORK. LEAVE YOUR TAPE MEASURE, SQUARE AND LEVEL ON YOUR PROJECT AND REPORT TO THE JUDGES' STATION.
- 6) THE JUDGES WILL CALL YOU BACK TO DISASSEMBLE YOUR PROJECT.

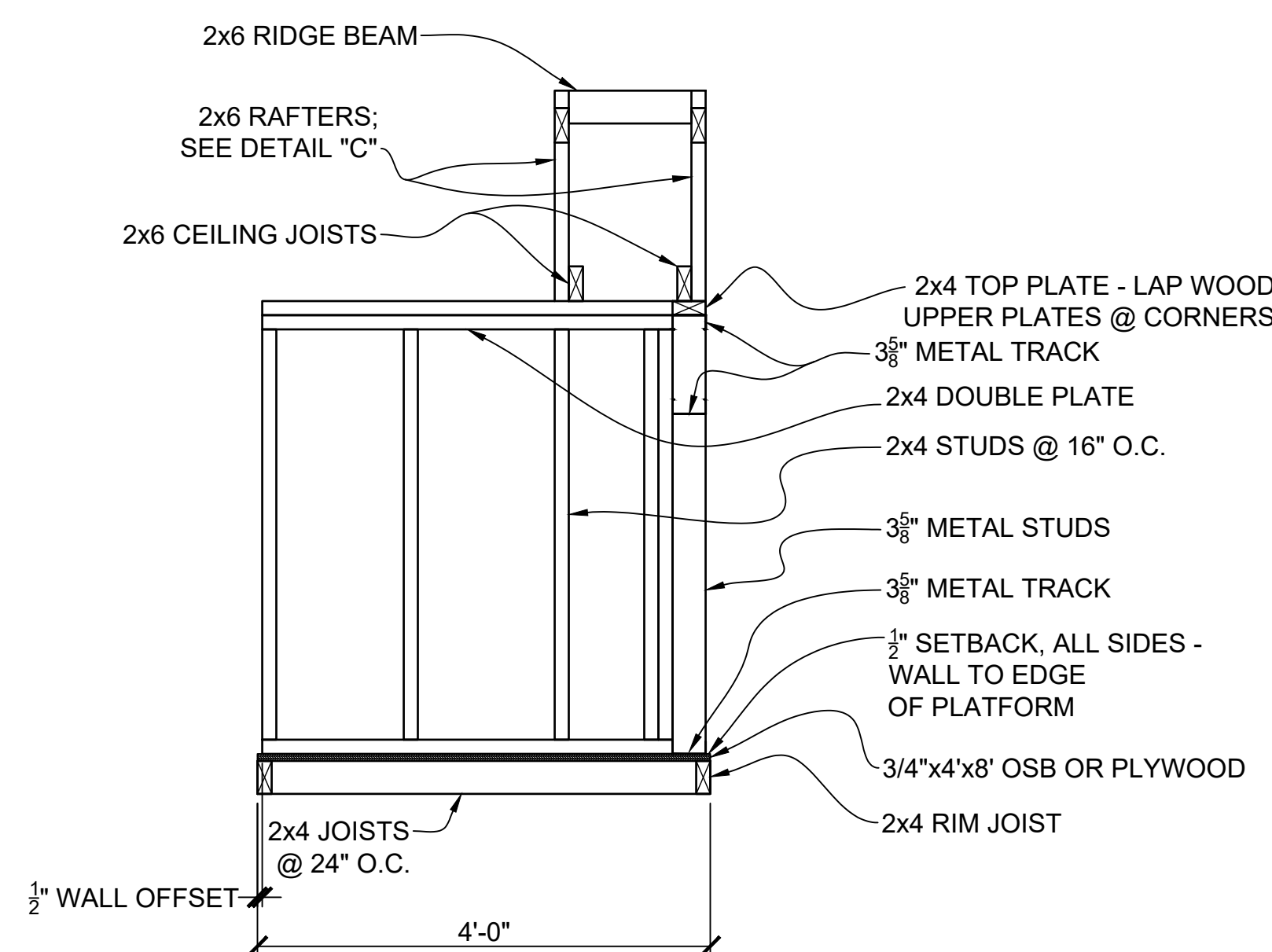


**B WALL FRAMING PLAN**  
3/4"=1'-0"

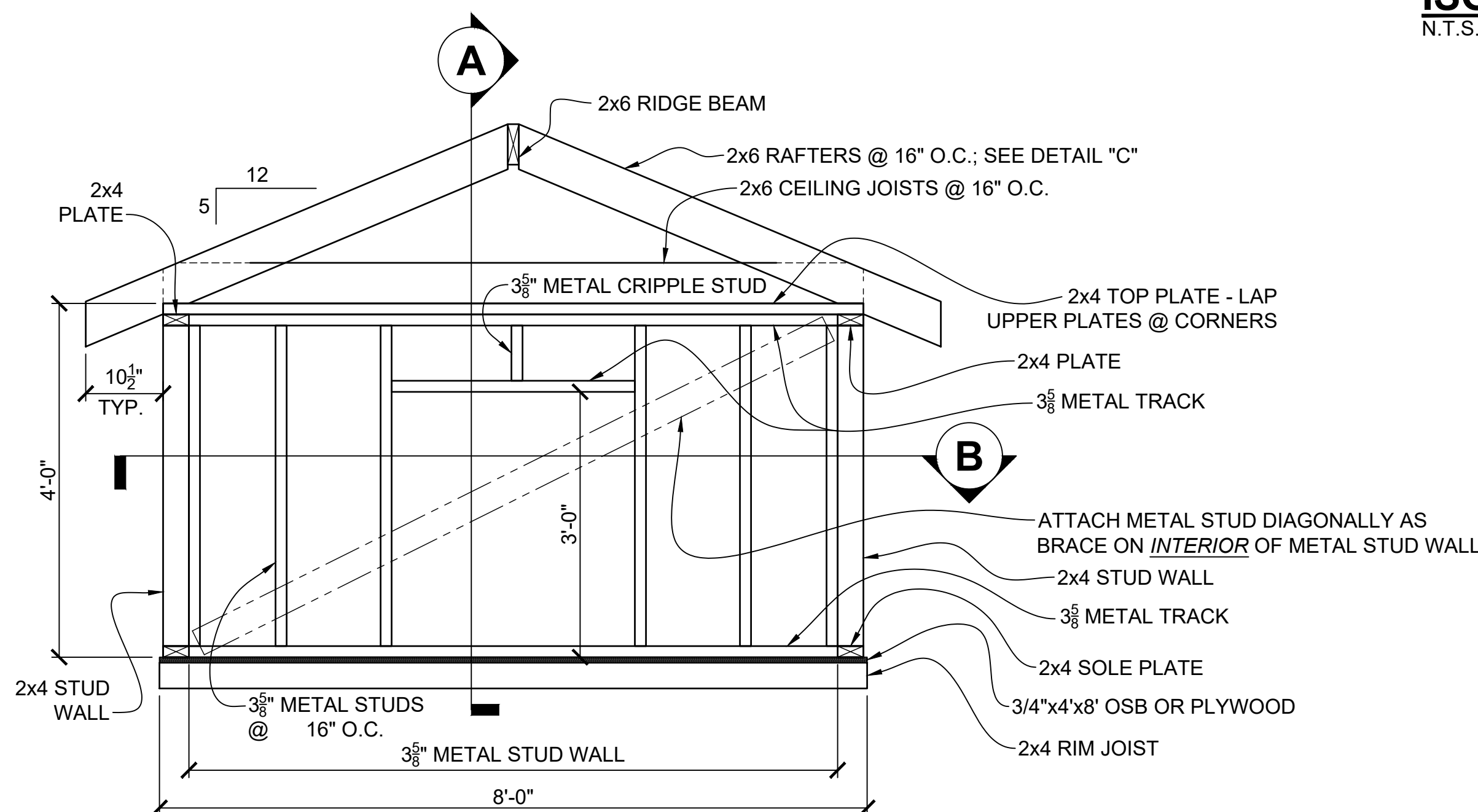


NOTE: FRONT WALL TO BE METAL STUDS W/ SINGLE TOP & BOTTOM TRACK

**ISOMETRIC VIEW**  
N.T.S.



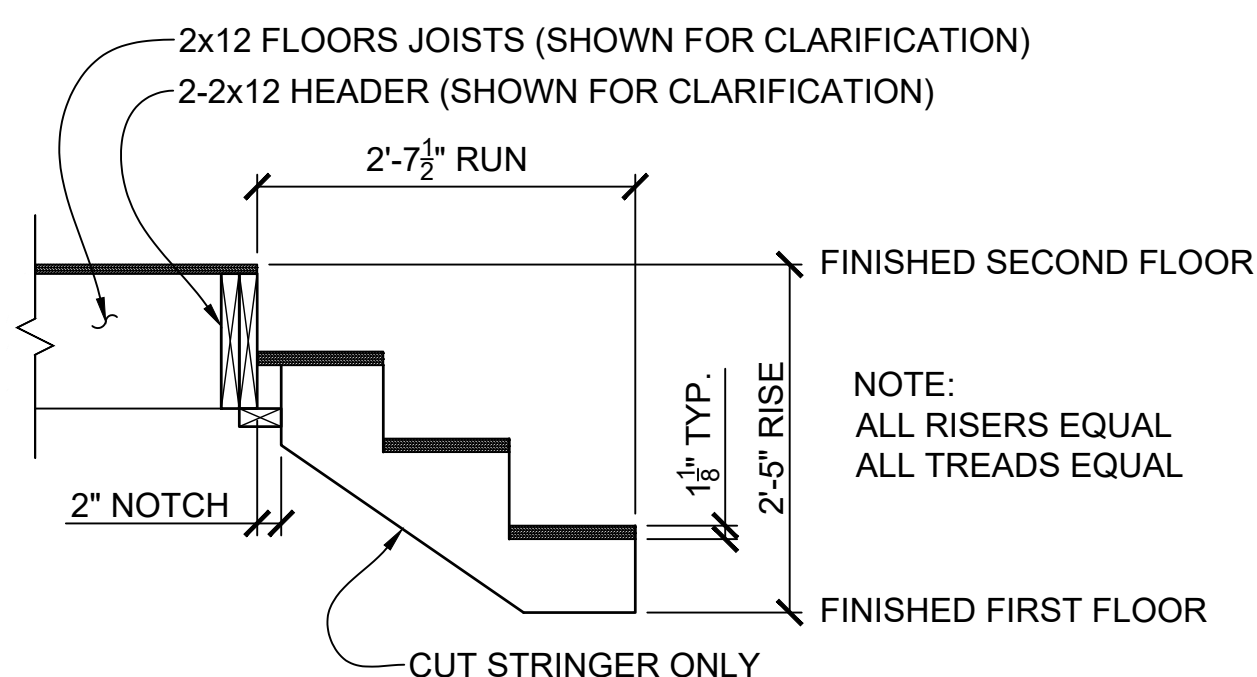
**A VERTICAL SECTION**  
3/4"=1'-0"



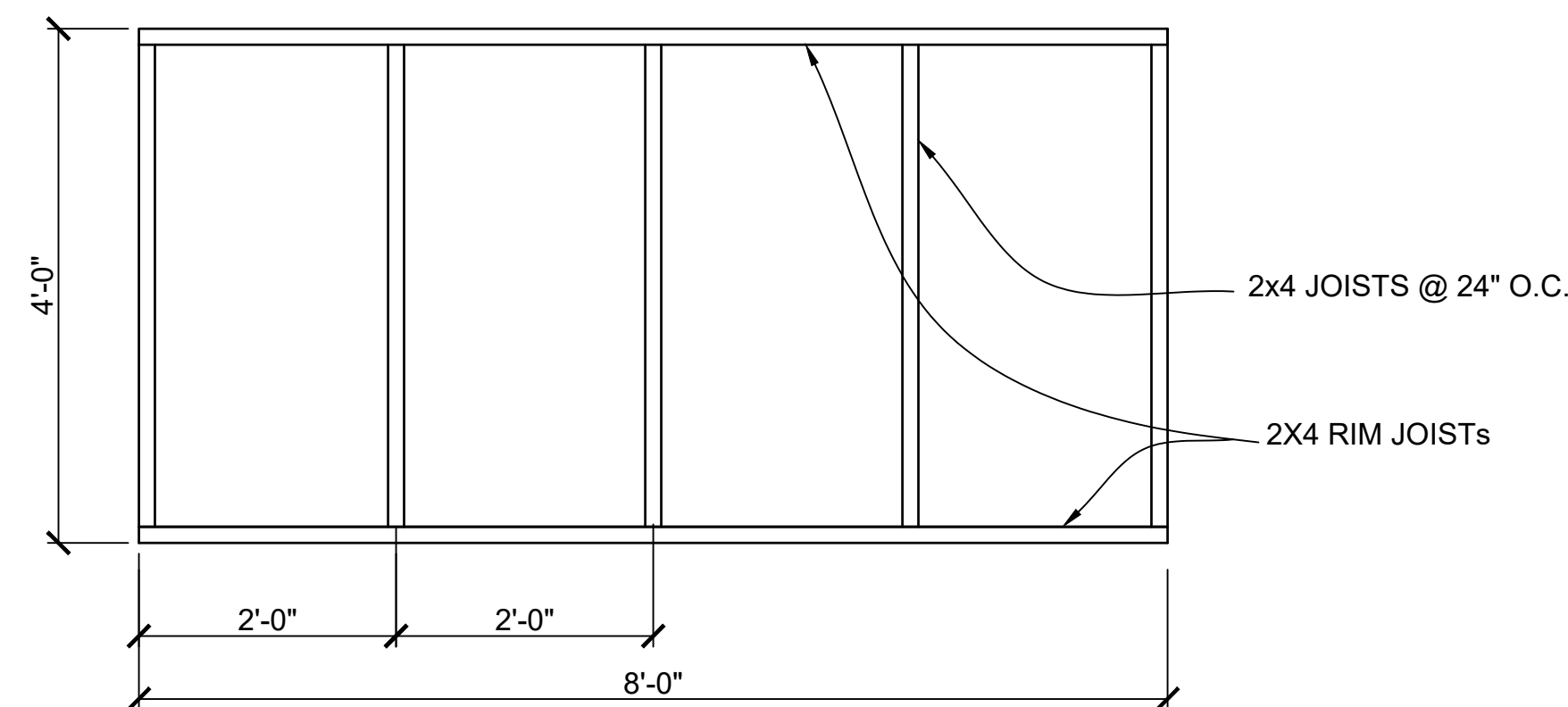
**E ELEVATION**  
3/4"=1'-0"

**MATERIALS LIST**

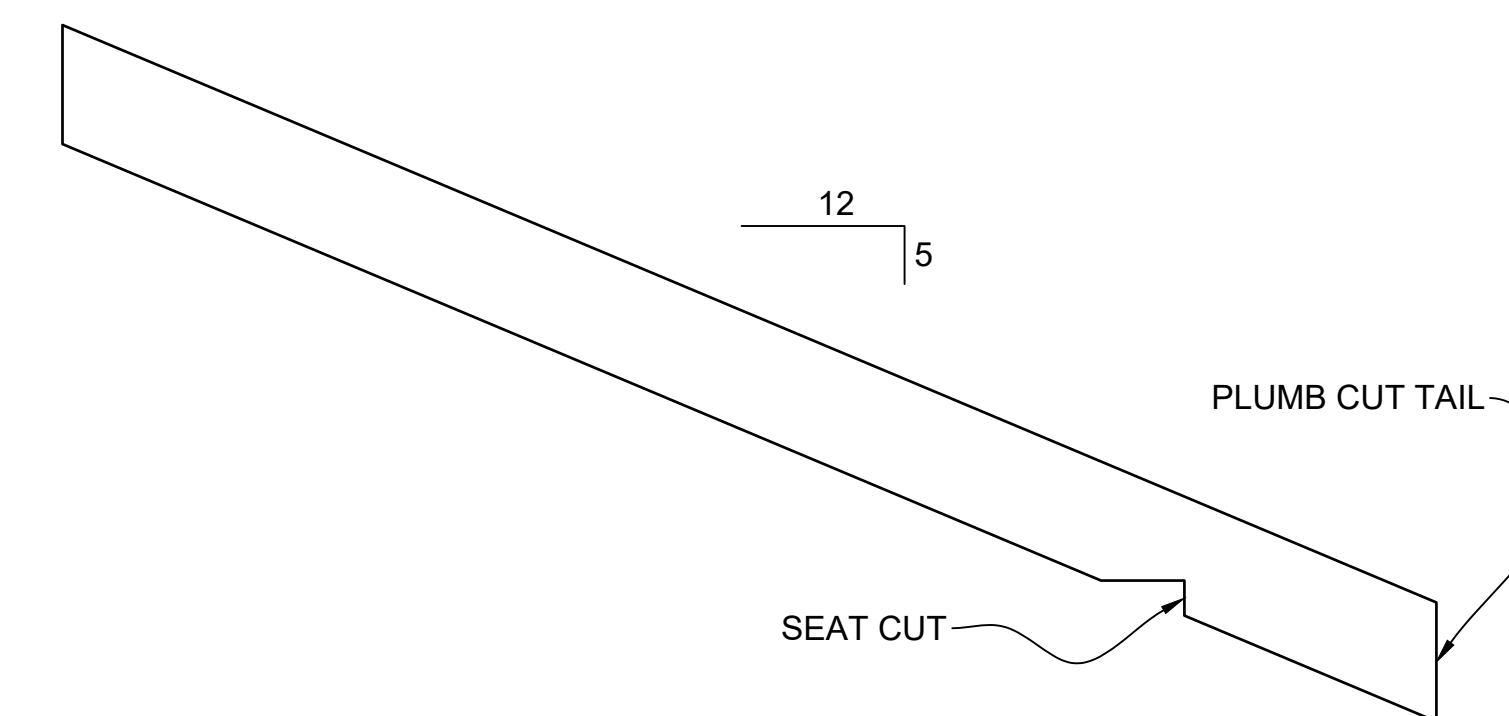
- |        |   |
|--------|---|
| 1 LB.  | 8D SINKERS  |
| 1 LB.  | "TEKS" #8 x 1/2" PHILLIPS SELF-DRIVING SHEET METAL SCREWS   |
| 1 LB.  | "FAS-N-TITE" #6 x 1 1/2" BUGLE COARSE-THREAD DRYWALL SCREWS |
| 5 LBS. | 16D SINKERS   |
| 1      | 3/4"x4'x8' PLYWOOD (DECK)                                   |
| 1      | 1/2"x12"x4' PLYWOOD (STAIR STRINGER)                        |
| 1      | 1/2"x3 1/2"x35" PLYWOOD (HEADER FLITCH BOARD)               |
| 2      | 2x6x12' (RAFTERS)   |
| 3      | 2x6x8' (CEILING JOISTS & RIDGE)                             |
| 13     | 2x4x8' STUDS (FLOOR JOISTS, STUDS, PLATES, BRACES)          |
| 2      | 3/8"x10' METAL TRACK  |
| 5      | 3/8"x8' METAL STUDS (INCLUDING WALL BRACE)                  |



**D STAIR STRINGER DETAIL**  
1 1/2"=1'-0"



**FLOOR FRAMING PLAN**  
3/4"=1'-0"



**C RAFTER DETAIL**  
1 1/2"=1'-0"