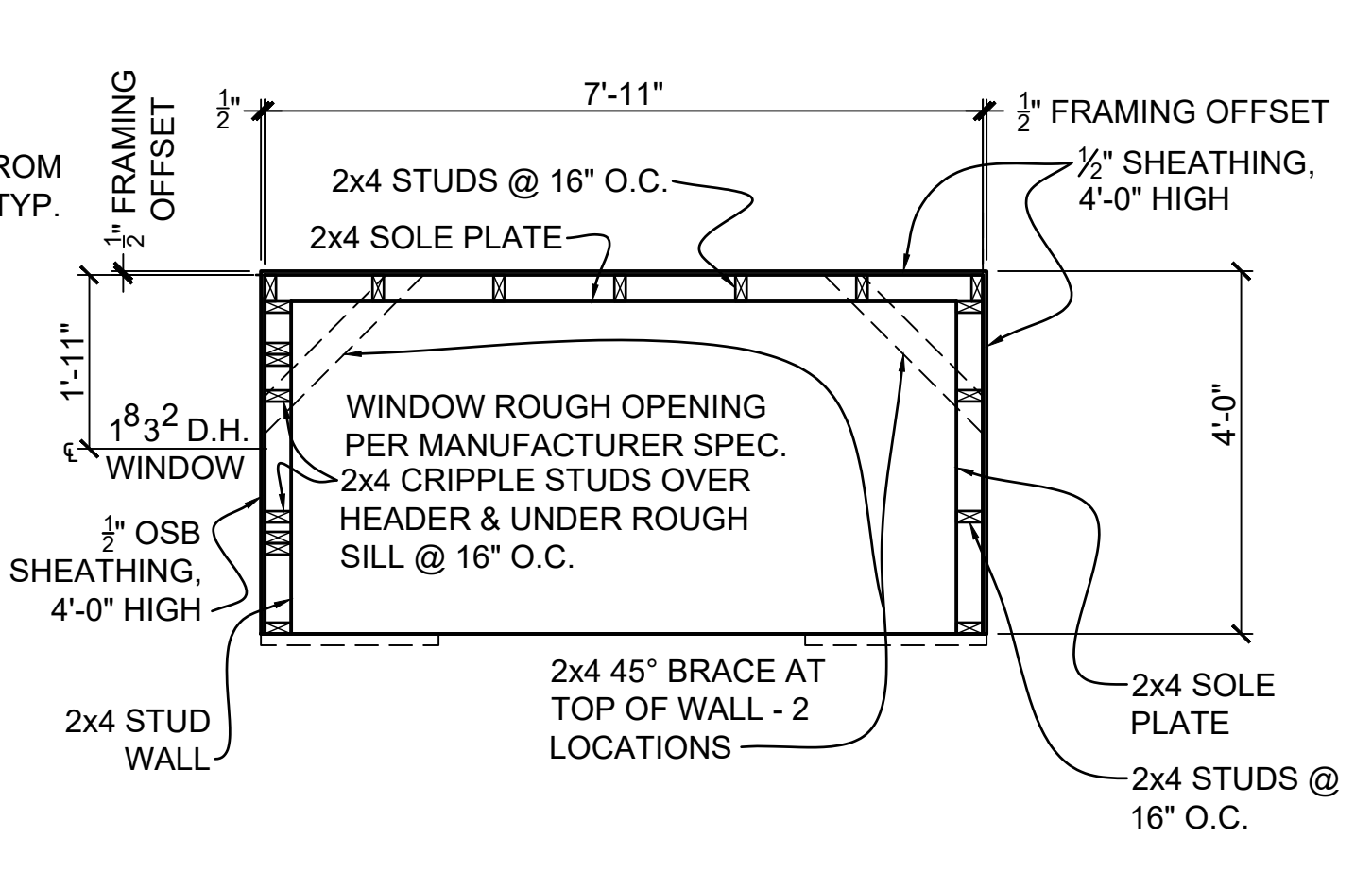
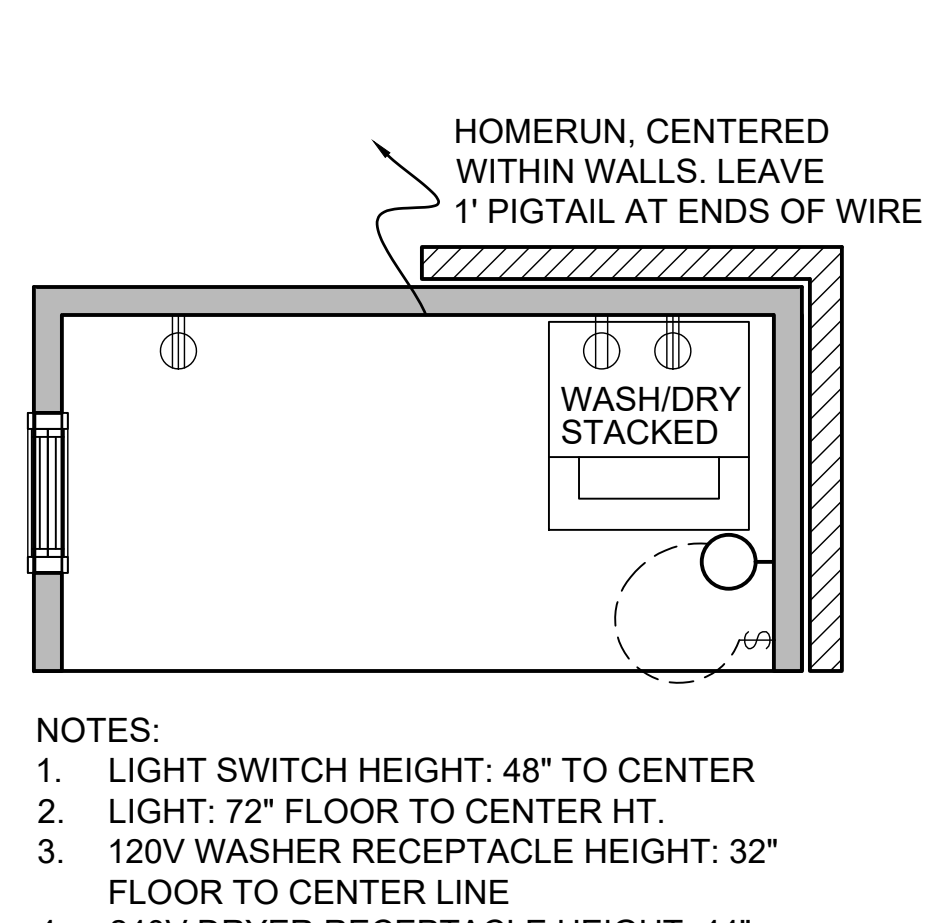


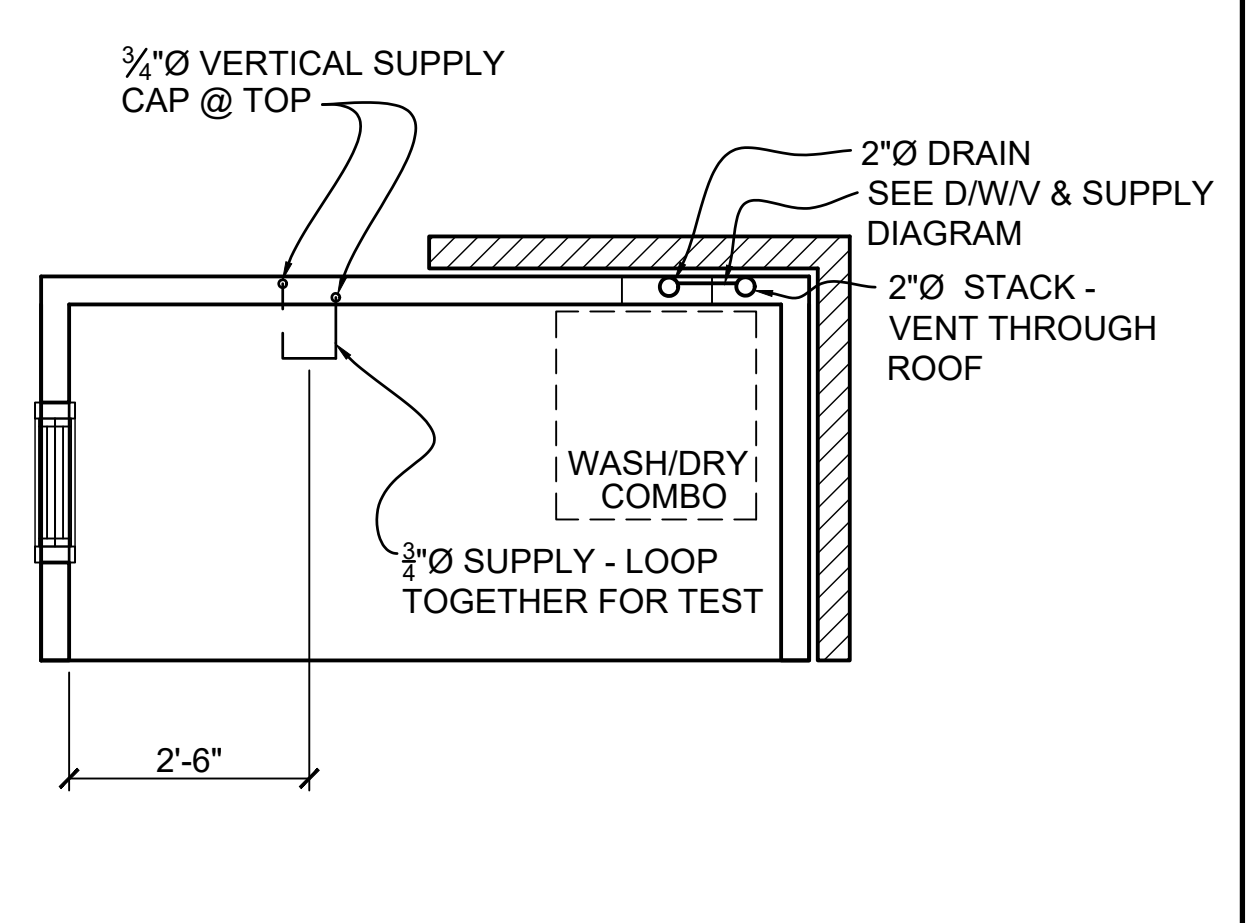
FLOOR PLAN
1/2"=1'-0"



FRAMING PLAN
1/2"=1'-0"

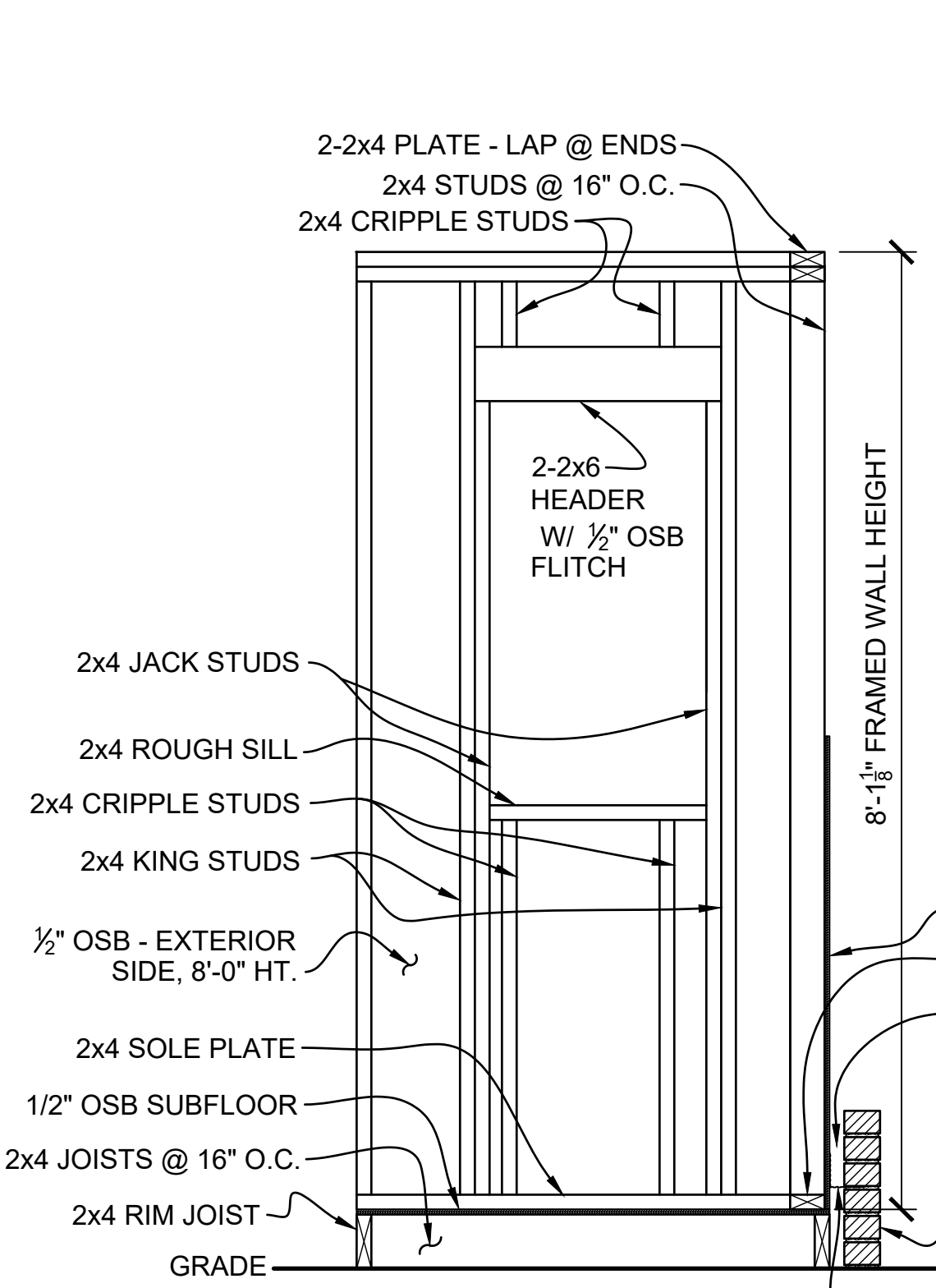


ELECTRICAL PLAN
1/2"=1'-0"

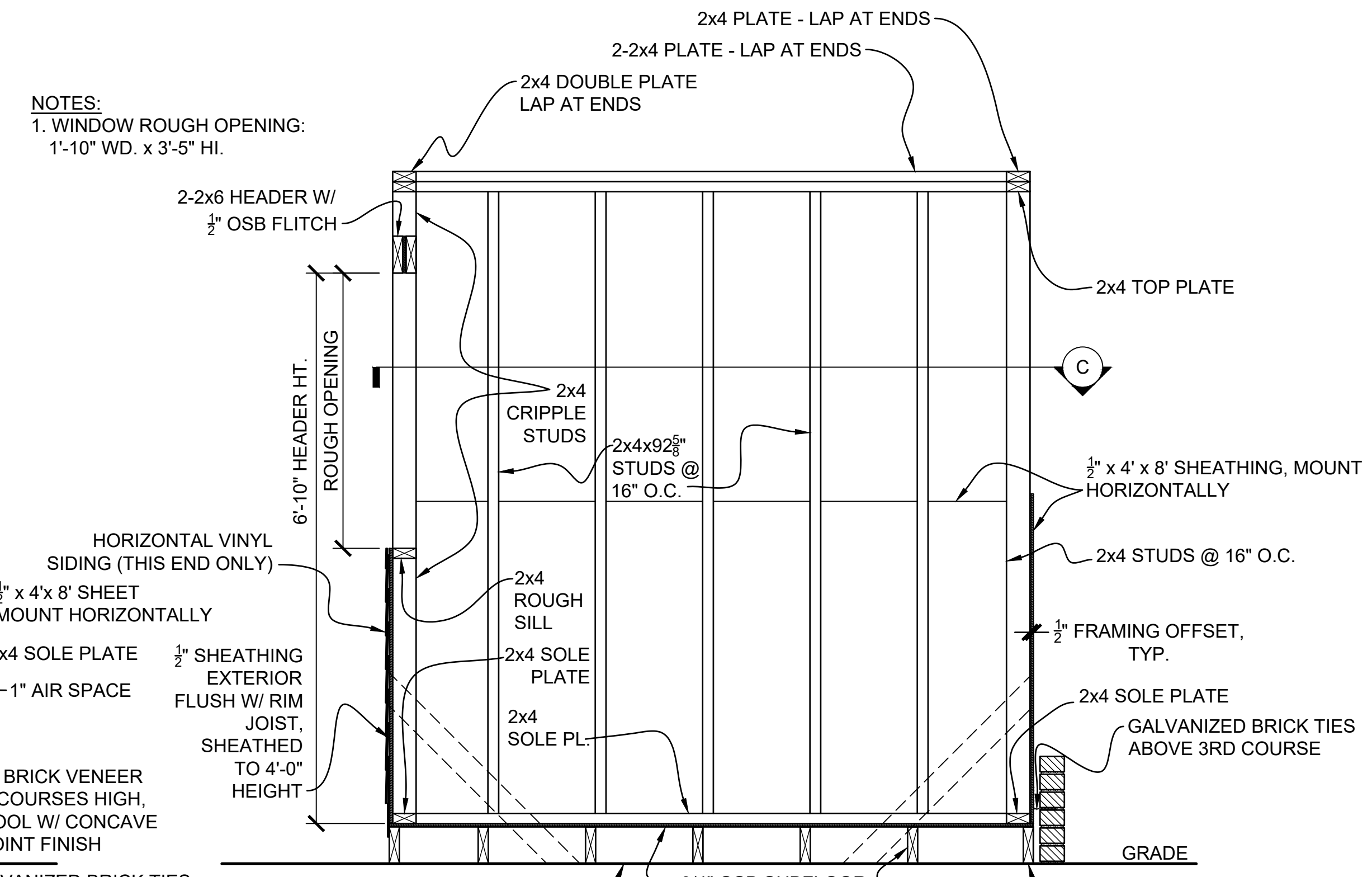


PLUMBING PLAN
1/2"=1'-0"

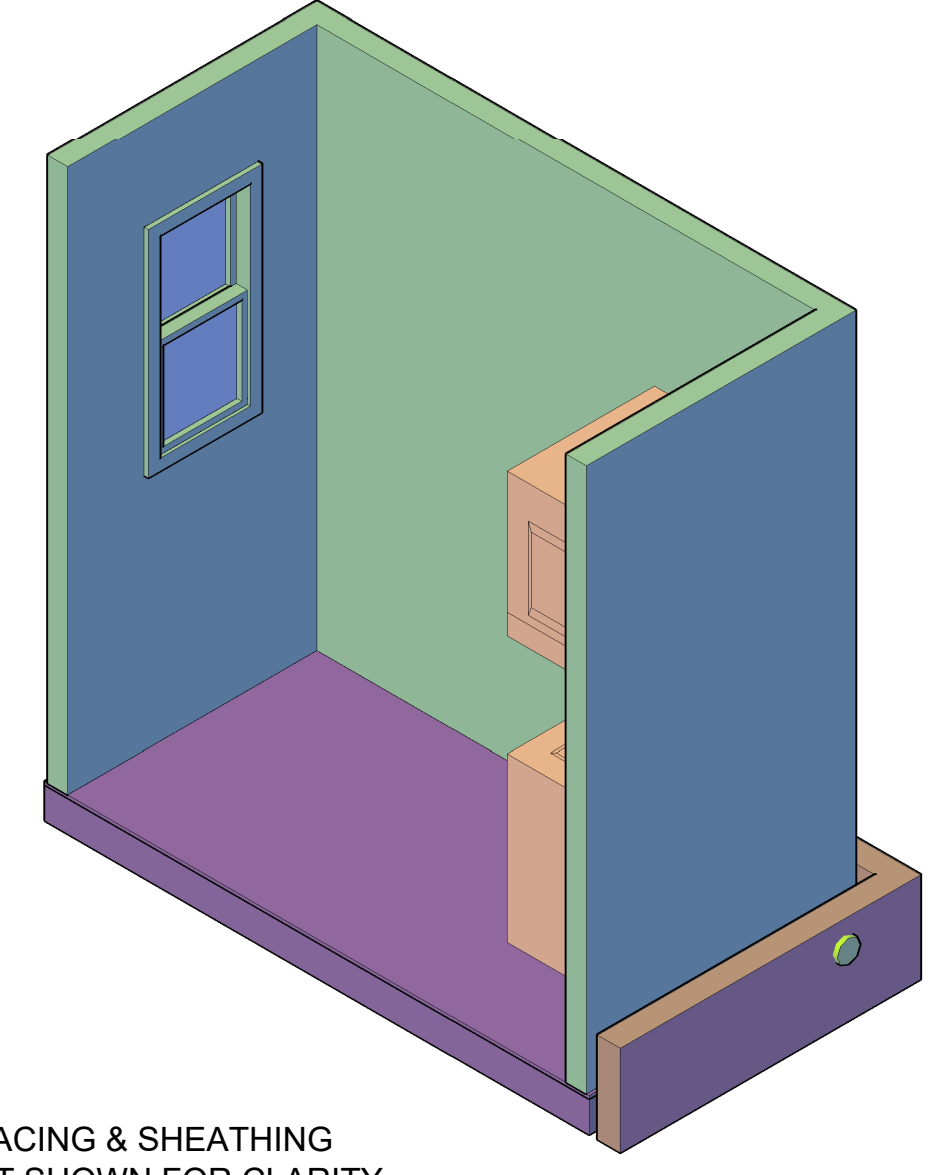
NOTE TO PLUMBER:
- INSTALL ONLY DRAIN-WASTE-VENT LINES.
- DO NOT INSTALL SUPPLY LINES



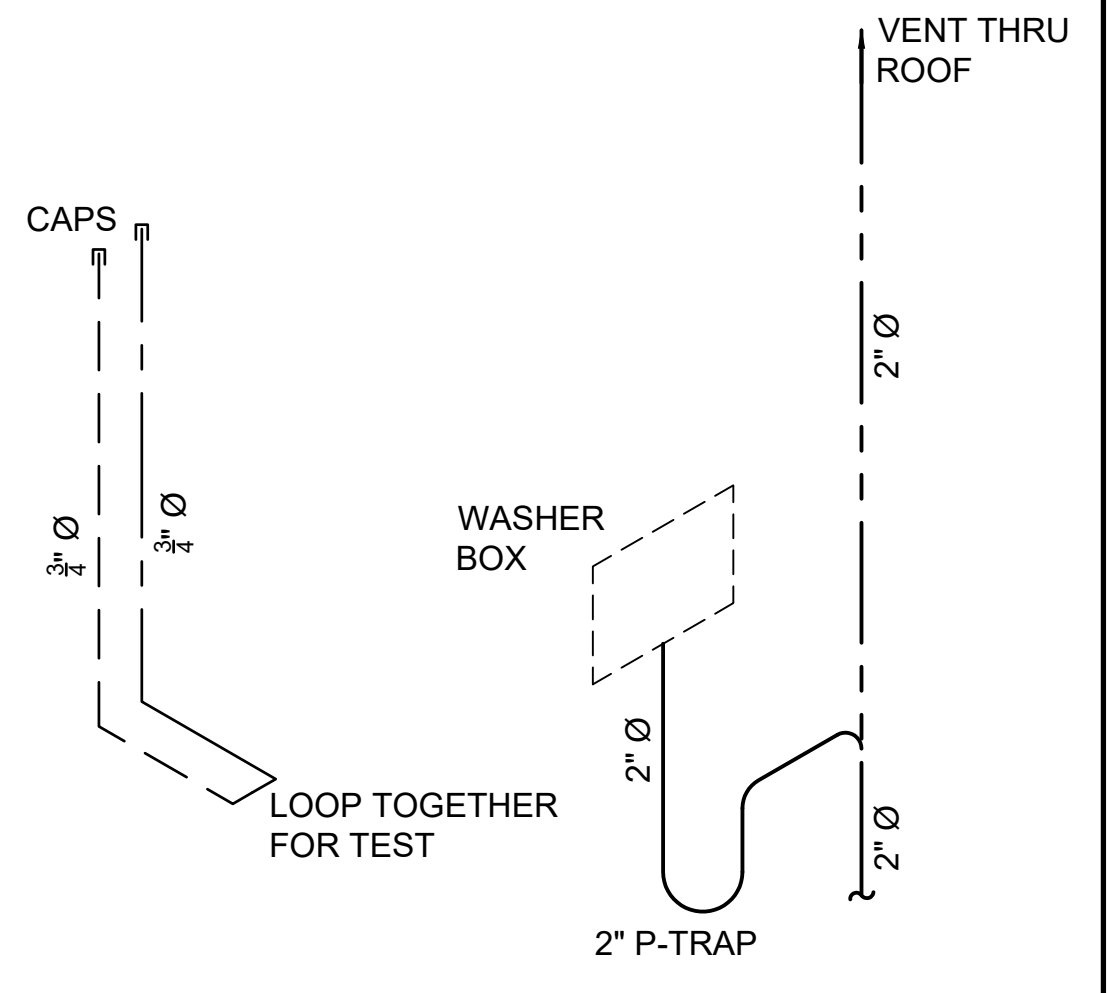
TRANSVERSE SECTION
3/4"=1'-0"



LONGITUDINAL SECTION
3/4"=1'-0"



ISOMETRIC VIEWS
N.T.S.



D-W-V & SUPPLY DIAGRAM
N.T.S.

GENERAL NOTES:
1. CLEAN-UP TO BE EVALUATED AS PART OF OVERALL SCORE.

SCALE: NOTED
DATE: APRIL 5, 2025

SKILLSUSA-VIRGINIA 2025
TEAMWORKS COMPETITION

REVISIONS
2025-02-05 REVISED, CORRECTED